

## Dämpfungsschienen *Damping rods*



- Für Elektromotoren Bauform IM B35 und Fußflansche nach VDMA 24 561
- Ausgelegt für die Gewichtsbelastung bei horizontalem Einbau
- Schallreduzierend und schwingungsdämpfend
- Mineralölbeständigkeit durch NBR-Gummimischung

- *For electric motors with frame size IM B35 and footbrackets acc. VDMA 24 561*
- *Dimensioned for loads in case of horizontal mounting*
- *Noise absorbing and vibration damping*
- *Resistance against mineral-oil because of NBR-rubber*

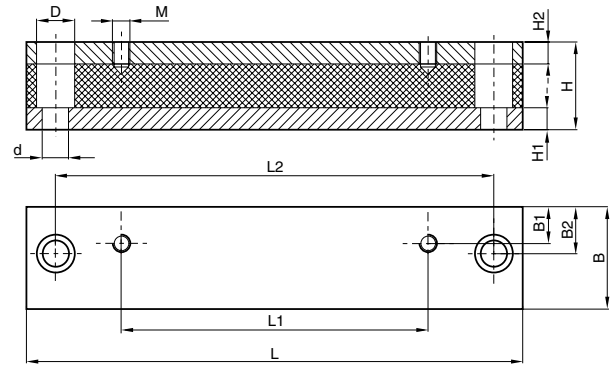
## Typenbezeichnung Model type

**P T F S D L 660**

|  |        |
|--|--------|
| Dämpfungsschienen-Typ<br><i>Type of damping rod</i>  |        |
| Elektromotoren<br><i>Electric motors</i>             | MDL    |
| Fußflansche schwer<br><i>Footbrackets heavy duty</i> | PTFSDL |
| Fußflansche leicht<br><i>Footbrackets light</i>      | PTFLDL |

Nenngröße  
(siehe Tabelle unten)  
*Size of rod  
(see table below)*

## Abmessungen Dimensions



## Dämpfungsschienen Damping rods

| Dämpfungsschienen<br><i>Type of damping rod</i> | Für Typ<br><i>For type</i> | L   | L1  | L2  | H  | H1 | H2 | B   | B1 | B2 | d  | D  | M   |
|---|----------------------------|-----|-----|-----|----|----|----|-----|----|----|----|----|-----|
| <b>Für Elektromotoren For electric motors</b>   |                            |     |     |     |    |    |    |     |    |    |    |    |     |
| MDL71   | 71                         | 196 | 90  | 156 | 40 | 8  | 12 | 50  | 21 | 25 | 14 | 20 | M6  |
| MDL80   | 80                         | 196 | 100 | 156 | 40 | 8  | 12 | 50  | 22 | 25 | 14 | 20 | M8  |
| MDL90S  | 90S                        | 196 | 100 | 156 | 40 | 8  | 12 | 50  | 22 | 25 | 14 | 20 | M8  |
| MDL90L  | 90L                        | 240 | 125 | 205 | 40 | 8  | 12 | 50  | 24 | 25 | 14 | 20 | M8  |
| MDL100L   | 100L                       | 240 | 140 | 205 | 40 | 8  | 12 | 50  | 24 | 25 | 14 | 20 | M10 |
| MDL112M   | 112M                       | 240 | 140 | 205 | 40 | 8  | 12 | 50  | 20 | 25 | 14 | 20 | M10 |
| MDL132S   | 132S                       | 285 | 140 | 245 | 45 | 8  | 12 | 50  | 20 | 25 | 14 | 20 | M10 |
| MDL132M   | 132M                       | 285 | 178 | 245 | 45 | 8  | 12 | 50  | 20 | 25 | 14 | 20 | M10 |
| MDL160M   | 160M                       | 340 | 210 | 300 | 60 | 15 | 15 | 70  | 28 | 35 | 18 | 26 | M12 |
| MDL160L   | 160L                       | 416 | 254 | 370 | 60 | 15 | 15 | 70  | 28 | 35 | 18 | 26 | M12 |
| MDL180M   | 180M                       | 416 | 241 | 370 | 60 | 15 | 15 | 70  | 35 | 35 | 18 | 26 | M12 |
| MDL180L   | 180L                       | 446 | 279 | 400 | 60 | 15 | 15 | 70  | 35 | 35 | 18 | 26 | M12 |
| MDL200L   | 200L                       | 496 | 305 | 430 | 60 | 15 | 15 | 70  | 35 | 35 | 22 | 32 | M16 |
| MDL225S   | 225S                       | 496 | 286 | 430 | 60 | 15 | 15 | 70  | 35 | 35 | 22 | 32 | M16 |
| MDL225M   | 225M                       | 496 | 311 | 445 | 60 | 15 | 15 | 70  | 35 | 35 | 22 | 32 | M16 |
| MDL250M   | 250M                       | 496 | 349 | 445 | 60 | 15 | 15 | 100 | 50 | 50 | 25 | 40 | M20 |
| MDL280S   | 280S                       | 580 | 368 | 530 | 60 | 15 | 15 | 100 | 50 | 50 | 25 | 40 | M20 |
| MDL280M   | 280M                       | 580 | 419 | 530 | 60 | 15 | 15 | 100 | 50 | 50 | 25 | 40 | M20 |
| MDL315S   | 315S                       | 660 | 406 | 610 | 70 | 15 | 15 | 150 | 60 | 75 | 25 | 40 | M24 |
| MDL315M   | 315M                       | 660 | 457 | 610 | 70 | 15 | 15 | 150 | 60 | 75 | 25 | 40 | M24 |
| MDL315L   | 315L                       | 720 | 508 | 670 | 70 | 15 | 15 | 150 | 60 | 75 | 25 | 40 | M24 |
| MDL355L   | 355L                       | 960 | 630 | 860 | 80 | 20 | 20 | 130 | 70 | 65 | 25 | 40 | M24 |
| MDL355S   | 355S                       | 960 | 500 | 860 | 80 | 20 | 20 | 130 | 70 | 65 | 25 | 40 | M24 |
| <b>Für Fußflansche For footbrackets</b>         |                            |     |     |     |    |    |    |     |    |    |    |    |     |
| PTFSDL250                                       | PTFS 250                   | 290 | 185 | 260 | 40 | 8  | 12 | 50  | 20 | 25 | 14 | 20 | M12 |
| PTFSDL300                                       | PTFS 300                   | 350 | 225 | 300 | 40 | 8  | 12 | 50  | 20 | 25 | 14 | 20 | M12 |
| PTFSDL350                                       | PTFS 350                   | 375 | 265 | 340 | 60 | 8  | 12 | 70  | 30 | 35 | 18 | 26 | M16 |
| PTFSDL400                                       | PTFS 400                   | 420 | 300 | 385 | 60 | 15 | 15 | 70  | 30 | 35 | 18 | 26 | M16 |
| PTFSDL450                                       | PTFS 450                   | 455 | 335 | 420 | 60 | 15 | 15 | 70  | 30 | 35 | 18 | 26 | M16 |
| PTFSDL550                                       | PTFS 550                   | 535 | 415 | 500 | 60 | 15 | 15 | 70  | 30 | 35 | 18 | 26 | M16 |
| PTFSDL660                                       | PTFS 660                   | 660 | 495 | 610 | 60 | 15 | 15 | 70  | 30 | 35 | 22 | 32 | M20 |
| PTFLDL160                                       | PTFL 160                   | 176 | 50  | 130 | 40 | 8  | 12 | 50  | 10 | 25 | 14 | 20 | M8  |
| PTFLDL200                                       | PTFL 200                   | 176 | 60  | 130 | 40 | 8  | 12 | 50  | 15 | 25 | 14 | 20 | M10 |
| PTFLDL250                                       | PTFL 250                   | 230 | 60  | 140 | 40 | 8  | 12 | 50  | 15 | 25 | 14 | 20 | M12 |
| PTFLDL300                                       | PTFL 300                   | 270 | 80  | 170 | 40 | 8  | 12 | 50  | 15 | 25 | 14 | 20 | M12 |

Sonderausführungen auf Anfrage *Special versions on request*